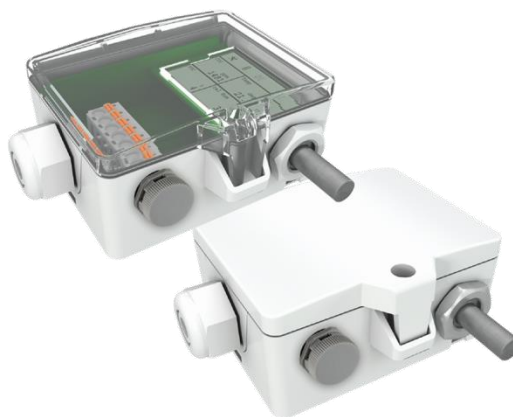


## Datasheet

Subject to technical alteration  
Issue date: 10.08.2018 • A002



The following illustrations show the version with LCD

## Application

Air quality sensor for detection of VOC air quality for outdoor measurement: cold rooms, greenhouses, production plants and warehouses. The sensor consists of a transmitter with VOC sensor, based on a heated tin oxide semiconductor. Designed for outdoor mounted applications with 2 0..10 V or 4..20 mA outputs. Display configuration and threshold values for color changes can be parameterized via Thermokon USEapp.

## Types Available

**Outdoor sensor VOC + temp – active RS485 Modbus MS/TP | LCD**

LA+ VOC Temp RS485 Modbus

LA+ VOC LCD Temp RS485 Modbus

## Security Advice – Caution



The installation and assembly of electrical equipment should only be performed by authorized personnel.

The product should only be used for the intended application. Unauthorised modifications are prohibited! The product must not be used in relation with any equipment that in case of a failure may threaten, directly or indirectly, human health or life or result in danger to human beings, animals or assets. Ensure all power is disconnected before installing. Do not connect to live/operating equipment.

Please comply with

- Local laws, health & safety regulations, technical standards and regulations
- Condition of the device at the time of installation, to ensure safe installation
- This data sheet and installation manual

## Notes on Disposal



As a component of a large-scale fixed installation, Thermokon products are intended to be used permanently as part of a building or a structure at a pre-defined and dedicated location, hence the Waste Electrical and Electronic Act (WEEE) is not applicable. However, most of the products may contain valuable materials that should be recycled and not disposed of as domestic waste. Please note the relevant regulations for local disposal.

## General remarks concerning sensors

Especially with regard to passive sensors in 2-wire conductor versions, the wire resistance of the supply wire has to be considered. If necessary the wire resistance has to be compensated by the follow-up electronics. Due to self-heating, the wire current affects the measurement accuracy, so it should not exceed 1 mA.

When using lengthy connection wires (depending on the cross section used) the measuring result might be falsified due to a voltage drop at the common GND-wire (caused by the voltage current and the line resistance). In this case, 2 GND-wires must be wired to the sensor - one for supply voltage and one for the measuring current.

Sensing devices with a transducer should always be operated in the middle of the measuring range to avoid deviations at the measuring end points. The ambient temperature of the transducer electronics should be kept constant. The transducers must be operated at a constant supply voltage ( $\pm 0,2$  V). When switching the supply voltage on/off, onsite power surges must be avoided.

## Build-up of Self-Heating by Electrical Dissipative Power

Temperature sensors with electronic components always have a dissipative power, which affects the temperature measurement of the ambient air. The dissipation in active temperature sensors shows a linear increase with rising operating voltage. This dissipative power has to be considered when measuring temperature. In case of a fixed operating voltage ( $\pm 0,2$  V) this is normally done by adding or reducing a constant offset value. As Thermokon transducers work with a variable operating voltage, only one operating voltage can be taken into consideration, for reasons of production engineering. Transducers 0..10 V / 4..20 mA have a standard setting at an operating voltage of 24 V =. That means, that at this voltage, the expected measuring error of the output signal will be the least. For other operating voltages, the offset error will be increased by a changing power loss of the sensor electronics. If a re-calibration should become necessary later directly on the sensor, this can be done by means of a trimming potentiometer on the sensor board.

**Remark: Occurring draft leads to a better carrying-off of dissipative power at the sensor. Thus temporally limited fluctuations might occur upon temperature measurement.**

## Application notice



The housing cover must be completely closed in order to ensure the accuracy and reproducibility of the measured values during a test or service log via USEapp.

The Bluetooth dongle snaps into the socket easily. When removing, please fix the plug-in card (option PCB) so that it is not unintentionally pulled out.

## Configuration



**The Thermokon bluetooth dongle with micro-USB is required for communication between USEapp and USE-M / USE L (Item No.: 668262). Commercial bluetooth dongles are not compatible.**



Application-specific reconfiguration of the devices can be carried out using the Thermokon USEapp. The configuration is carried out in the voltage-supplied state.



**The configuration-app and the app description can be found in the Google Play Store or in the Apple App Store.**

## Application Notice for Air Quality Sensors VOC

Unlike CO<sub>2</sub> sensors, which specifically measure CO<sub>2</sub>, mixed gas sensors detect a wide range of gases. The sensor signal does not indicate the type of gas or its concentration in ppm. Mixed gas sensors detect gases and vapours consisting of carbohydrates, or more generally gases that can be oxidised (burnt): Odours, perfume, cleaning fluid scent, tobacco smoke, new materials fumigations (furniture, carpets, paint, glue ...).

Unlike CO<sub>2</sub>, which humans cannot sense, the amount of odours (VOC) indicates the level of air quality. VOC sensors have proven their value in a multitude of applications for many years.

### Measuring principle:

Similar to a catalyst converter the organic molecules are burnt (oxidized) when in contact with the sensor's heated -dioxide surface, adding a small amount of heat combustion. The increased temperature is measured providing a signal proportional to the number of molecules being burnt. CO<sub>2</sub> cannot be detected as it cannot be further oxidized.

**Refrain from touching the sensor's element sensitive surface. Touching the sensitive surface element will void warranty.**

## Information about Calibration VOC

Similar to a catalyst converter the VOC sensor will deteriorate over time, which will affect the sensitivity. This VOC sensor automatically compensates the decrease in sensitivity by dynamic auto-calibration.

The reference level of air quality is derived from the ambient conditions over a 72h period. The lowest reading within this 72h time period will be used as reference level, representing the "clean and fresh air level".

## Technical Data

<b>Measuring values</b>	VOC + temperature	
<b>Output voltage</b>	2x 0..10 V or 0..5 V, min. load 10 kΩ (live-zero configuration via Thermokon USEapp)	
<b>Network technology</b>	RS485 Modbus, RTU, half-duplex, baud rate 9.600, 19.200, 38.400 or 57600, parity: none (2 stopbits), even or odd (1 stopbit)	
<b>Power supply</b>	15..35 V = or 19..29 V ~ SELV	
<b>Power consumption</b>	max. 2,3 W (24 V =)   max. 4,3 VA (24 V ~)	
<b>Measuring range temp.</b>	0..+50 °C (default setting), optionally configured via Thermokon USEapp	
<b>Accuracy temperature</b>	±0,5 K (typ. at 21 °C)	
<b>Calibration</b>	self-calibration	
<b>Sensor</b>	VOC sensor (heated metal oxide semiconductor)	
<b>Display</b> (optional)	LCD 29x35 mm with RGB backlight	
<b>Enclosure</b> (type-dependent)	enclosure USE-M, PC, pure white, with removable cable entry	<b>LCD</b> cover PC, transparent
<b>Protection</b>	IP65 according to EN 60529	
<b>Cable entry</b>	M25, for wire max. Ø=7 mm, seal insert for fourfold cable entry	
<b>Connection electrical</b>	<b>Mainboard</b> removable plug-in terminal, max. 2,5 mm <sup>2</sup>	<b>Plug-in card</b> removable plug-in terminal, max. 1,5 mm <sup>2</sup>
<b>Pocket</b>	stainless steel V2A, Ø=6 mm, L=25 mm	
<b>Ambient condition</b>	0..+50 °C, max. 85% rH short term condensation	
<b>Mounting</b>	installation is also possible using mounting base	

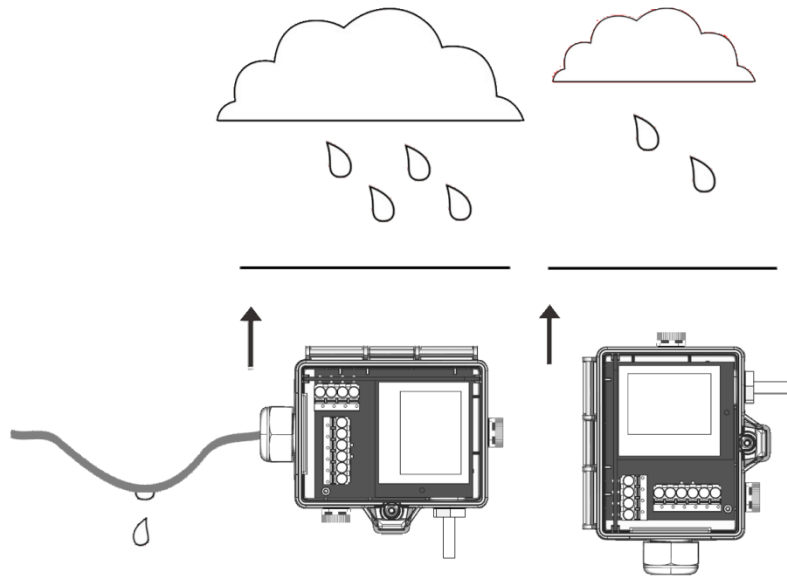


### Declaration of conformity

The declaration of conformity of the products can be found on our website <https://www.thermokon.de/>.

## Mounting Advices

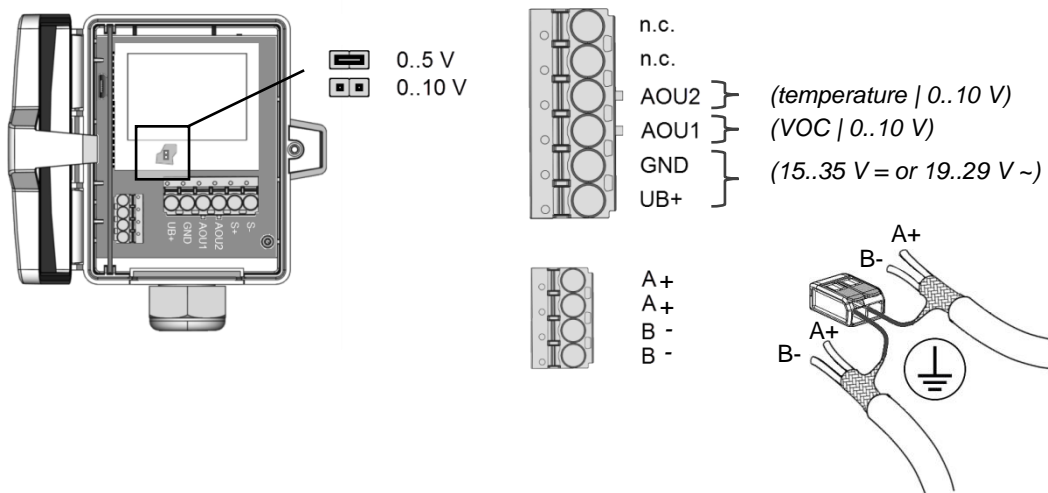
In case of outdoor installation avoid direct rain and sun contact. Probably use sun respectively rain protection. Cable entry from bottom or side. For side cable routing set loop so that precipitation can drain defined. Observe permissible ambient condition.

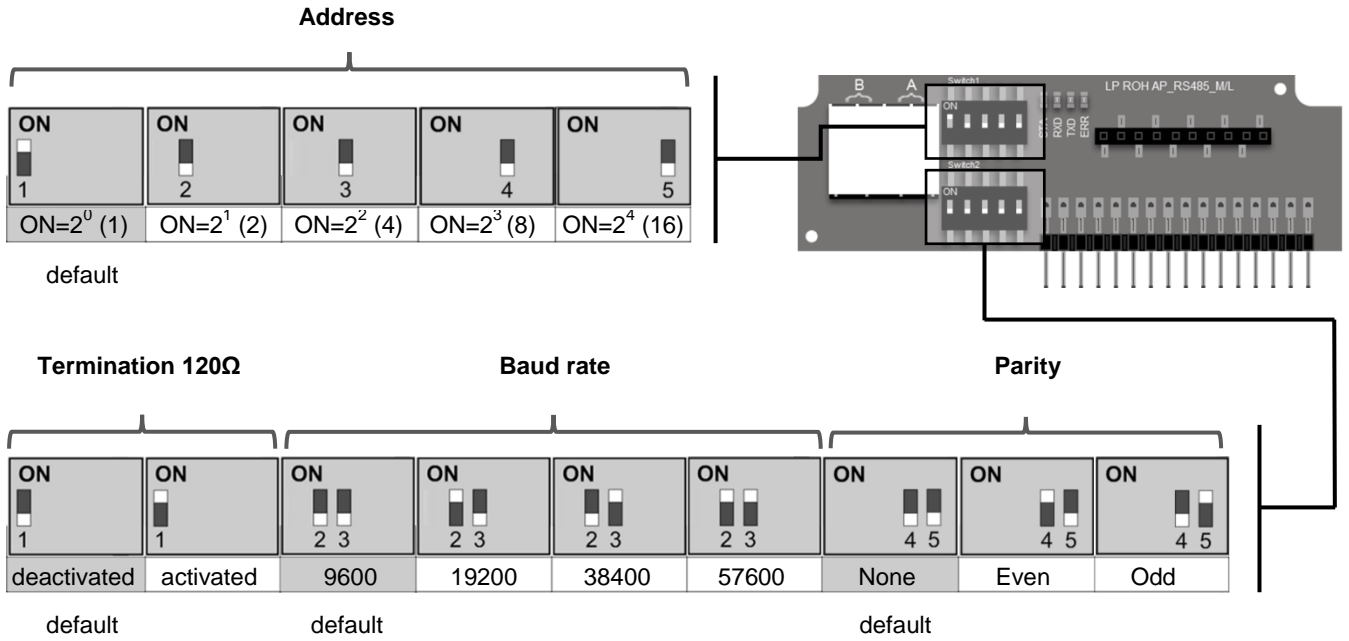


## Connection Plan

To change the output voltage range (default: 0..10 V to 0..5 V) via jumper, the display must be removed from the board first.

### LA+ VOC Temp LCD RS485 Modbus





Address	Access	Description	Resolution / Unit
6	R	VOC	0.1 %

**Register 400 = 1 (Unit SI)**

Address	Access	Description	Resolution / Unit
0	R	Temperature	SI 0.1 °C

**Register 400 = 2 (Unit Imperial)**

Address	Access	Description	Resolution / Unit
0	R	Temperature	Imperial 0.1 °F

The modbus address of the device is set in the range of 1 ... 31 (binary encoded) using a 5-pole DIP switch. With address 0 via DIP, an extended address range (32..247) is available via USEapp.



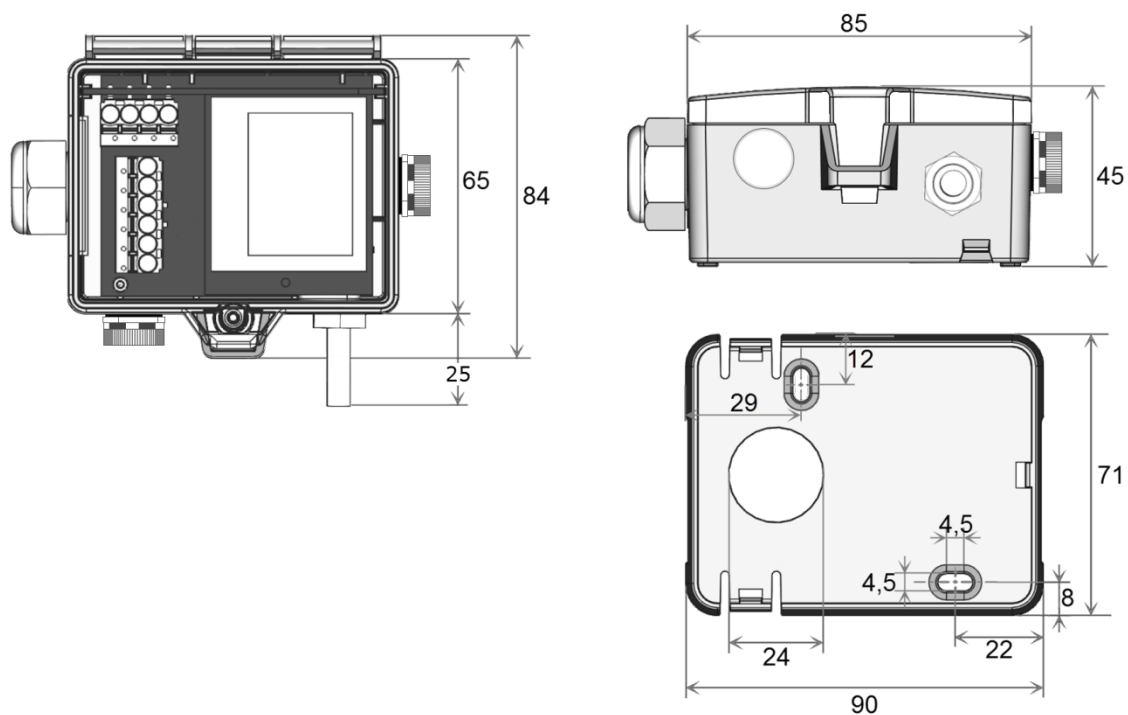
**Modbus addresses:**

USE-RS485 Modbus Interface

A detailed description of the Modbus addresses can be found in our downloadcenter:

→ [Download](#)

## Dimensions (mm)



## Accessories (included in delivery)

Mounting base

Item No. 631228

Mounting kit universal

Item No. 698511

• Cover screw + screw cover • 2 Rawplugs • 2 Screws (countersunk head) • 2 Screws (rounded head)

## Accessories (optional)

Bluetooth dongle

Item No. 668262