

## Data sheet

### UAE modul Cat.6 Jack T568B

Page 1/6

P/N

130909-I-B1

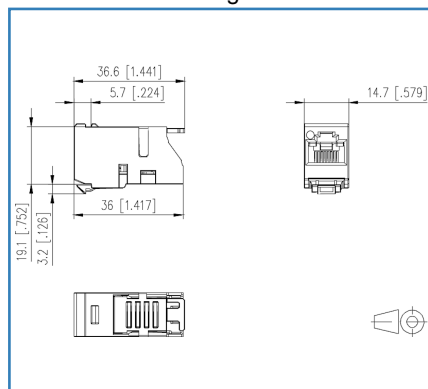
EAN 4250184118367

2015-03-09

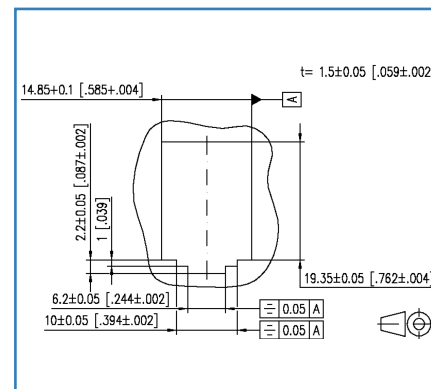
## Illustrations



Dimensional drawing



Cut-out



See enlarged drawings at the end of document

## Product specification

- unshielded Cat.6 class E UAE module
- for Gigabit Ethernet
- compliance with class E to ISO/IEC 11801 Ed.2.2:2011-06, DIN EN 50173-1:2011-09
- suitable for Power over Ethernet (PoE, PoE plus and UPoE)
- easy to install connection of 2 to 4-pair data lines AWG 24/1 - 22/1 and stranded wires with 7 copper conductors AWG 26/7 to BTR 8-fold insulation displacement connectors (IDC)
- optional strain relief with cable tie at UAE module
- installation shape: module
- variants: designation of conductor colors marking to T568A, T568B

## Technical Data

### General Data

Design	Jack
Shielding	unshielded
Transmission technology	Copper
Wiring	T568B
Color	pearl white
Dimensions	
Dimension (L x W x H)	36.00 x 14.70 x 22.30 mm
Dimension (L x W x H)	1.42 x 0.58 x 0.88 in.
Modularity	yes
Labeling option	on housing

### Transmission characteristics

Category (ISO)	6
Class (ISO/IEC)	E
Category (TIA)	6
PoE	IEEE 802.3af
PoE plus	IEEE 802.3at
UPoE	yes
Transmission rate up to 10 GBit	IEEE 802.3an

### Connections/interfaces

Connector technology interface 1	IDC-connection
Connector technology interface 2	RJ45-jack
Number of ports interface 2	1
Number of ports interface 2 equipped	1
Number of positions/contacts interface 1	8
Number of positions/contacts interface 2	8P/8C
Termination data, solid wire (min. - max.)	
Conductor cross section, solid wire	AWG 26 - 22
Conductor cross section, solid wire	0.128 - 0.324 mm <sup>2</sup>
Conductor diameter, solid wire (bare copper)	0.409 - 0.643 mm
Conductor diameter, solid wire (bare copper)	0.016 - 0.025 in.



## Technical Data

### Connections/interfaces

Termination data, stranded wire (min. - max.)

Conductor cross section, stranded wire	AWG 26
Conductor cross section, stranded wire	0.141 mm <sup>2</sup>
Conductor diameter, stranded wire (bare copper)	0.483 mm
Conductor diameter, stranded wire (bare copper)	0.019 in.
Cable access/outlet	180°

### Electrical characteristics

Current carrying capacity	max. 1 A
Rated voltage	max. 50 V
Contact resistance	max. 20 mOhm
Through resistance	max. 200 mOhm
Insulation resistance	min. 500 MOhm
Dielectric strength conductor-conductor (secondary)	min. 1000 V DC

### Mechanical characteristics

Cut-out	Modul
Mounting method	snap-in function
Insertion and withdrawal force	max. 20 N
Life - Number of mating cycles	min. 750
Position/mounting of latch - standard installation position	top
Strain relief	with cable tie, attached to module

### Materials and material properties

Material - Housing	PA 6.6 UL94 V0
Material - Contact	CuSn (tin bronze)
Material - Contact finish	Ni + Au (nickel-gold)
Material - Stuffer cap	PA 6.6 UL94 V0
Material - Strain relief	PA 6.6 UL94 V0



## Technical Data

### Environmental conditions

Temperature (min. - max.)	
Temperature - Storage °F	32 - 32 °F
Temperature - Operating °F	32 - 32 °F
Rapid change of temperature	-40°C / -40°F - +70°C / 158°F / 25 cycles t=30 min
Electromagnetic measurement	E <sub>1</sub>

### Certifications

Gost Certification	yes
--------------------	-----

### Approvals

RoHS	compliant
UL listed (file no.)	DUXR.E178484

### The product meets the following standards

Generic cabling systems	
General requirements	ISO/IEC 11801 Ed.2.2: 2011-06   DIN EN 50173-1: 2011-09 TIA/EIA 568-B.2-10
Office buildings	ISO/IEC 11801 Ed.2.2: 2011-06   DIN EN 50173-2: 2011-09 TIA/EIA 568-C
Living units	ISO/IEC 15018   DIN EN 50173-4: 2011-09 TIA/EIA 570-B
Connectors for electronic equipment	
Free and fixed connectors	DIN EN 60603-7-4:2011-03
Climate tests	IEC 60512-11

### Classifications

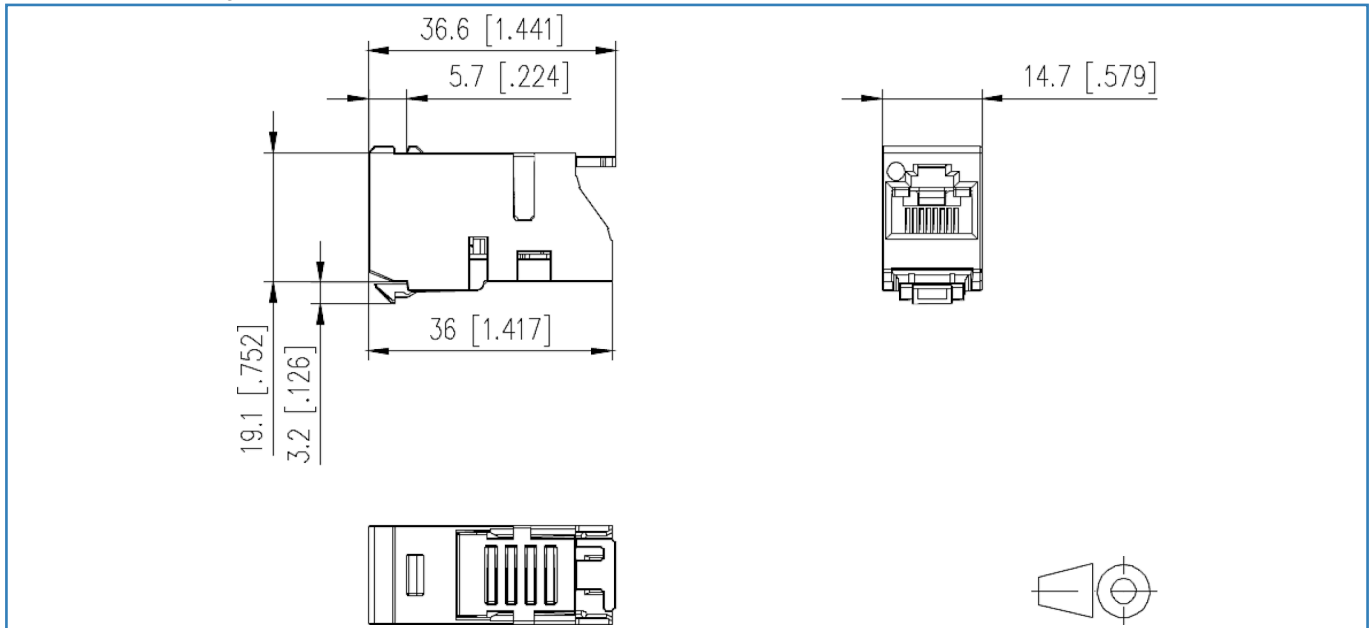
ETIM 5.0	EC001121
----------	----------

### Packing details

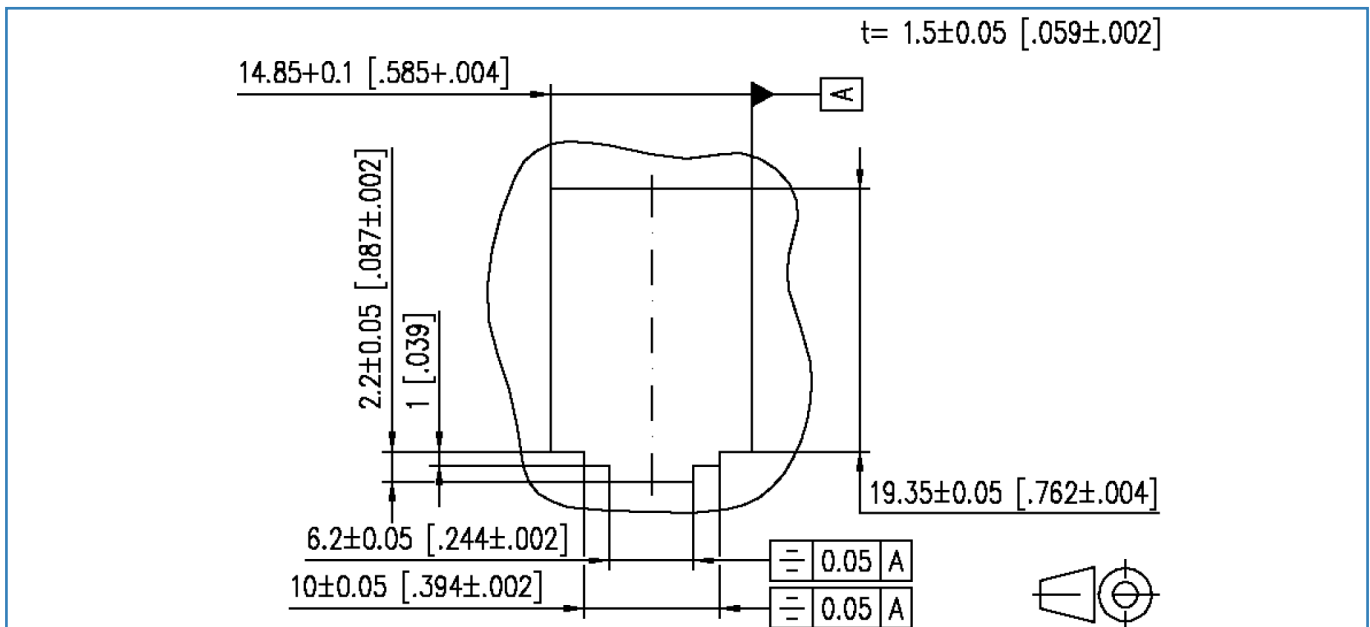
Type of packaging	10 pc(s) / box
Packaging unit - Weight (gram)	202.00 g
Packaging unit - Weight (pound)	0.45 lb
Packaging dimension (W x H x D)	247.00 x 161.00 x 58.00 mm
Packaging dimension (W x H x D)	9.72 x 6.34 x 2.28 in.

Illustrations

Dimensional drawing



Cut-out



© 2015 METZ CONNECT - Technische Änderungen vorbehalten! Subject to modifications! Sous réserve de modifications techniques!



**Data sheet**  
**UAE modul Cat.6 Jack T568B**

Page 6/6

P/N  
**130909-I-B1**  
EAN 4250184118367

2015-03-09

**Illustrations**

Wiring

